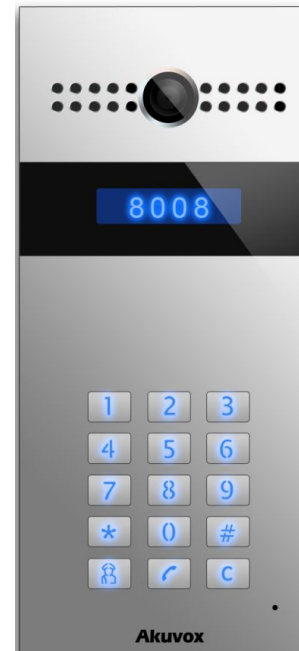




R27 Series Door Phone User Manual



R27A



R27C

About this manual

Thank you for choosing Akuvox's R27A /C door phone. This manual is intended for end users, who need to use and configure the door phone. It provides an overview of the most essential functions and features of the product, whose firmware version is 27.0.2.170.

Contact us

For more information about the product, please visit us at www.akuvox.com or feel free to contact us by

Sales email: sales@akuvox.com

Technical support email: techsupport@akuvox.com

Telephone: +86-592-2133061 ext.7694/8162

We highly appreciate your feedback about our products.

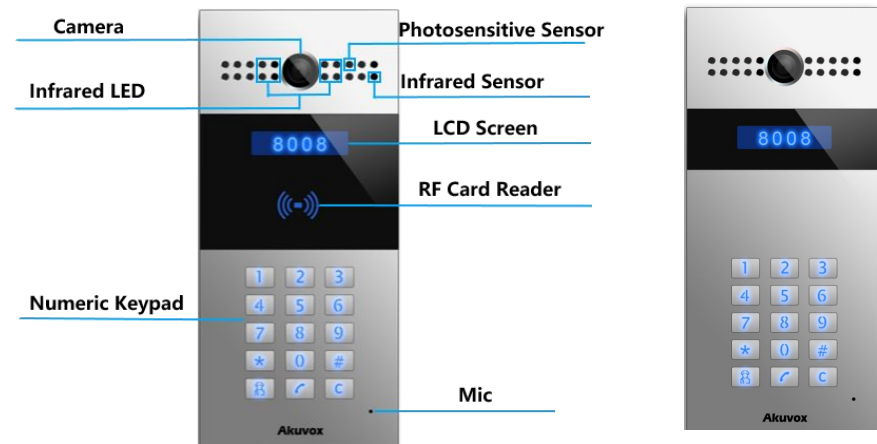
Content

1. Product Overview.....	1
1.1 Product Description.....	1
1.2 Connector Introduction.....	1
2. Daily Use.....	2
2.1 Making a Call.....	2
2.2 Receiving a Call.....	3
2.3 Unlock.....	3
3. Web.....	4
3.1 Obtain IP address.....	4
3.2 Login the web.....	5
3.3 Time/Lang.....	5
3.4 Voice.....	5
3.5 IP Address Setting.....	6
3.5.1 DHCP.....	6
3.5.2 Static IP.....	6
3.6 Public Key.....	7
3.7 Card Setting (R27A Only)	7
3.7.1 Import/Export Card Data.....	8
3.7.2 Obtain and Add Card.....	8
3.7.3 Door card Management.....	8
3.8 Call setting.....	9
3.8.1 Speed Dial.....	9

1. Product Overview

1.1 Product Description

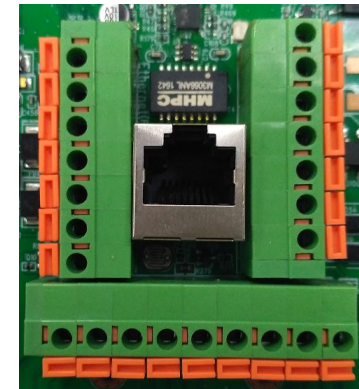
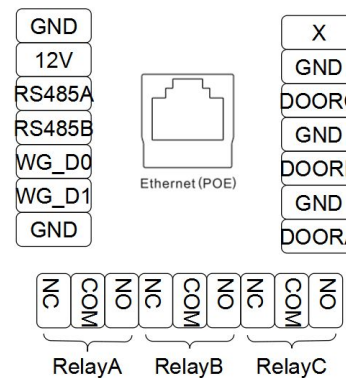
Akuvox R27series is a SIP-compliant, hands-free and video outdoor phone. It can be connected with your Akuvox IP Phone for remote unlock control and monitor. You can operate the indoor handset to communicate with visitors via voice and video, and unlock the door if you wish. Users can also use RF card to unlock the door(R27A only). It's applicable in villas, office and so on.



1.2 Connector Introduction

Ethernet(POE): Ethernet(POE) connector, which can provide both power and network connection.

12V/GND: External power supply terminal if POE is not available.



RS485A/B: RS485 terminal.

WG_D0/WG_D1:Wiegand terminal.

DOORA/B/C: Trigger signal input terminal.

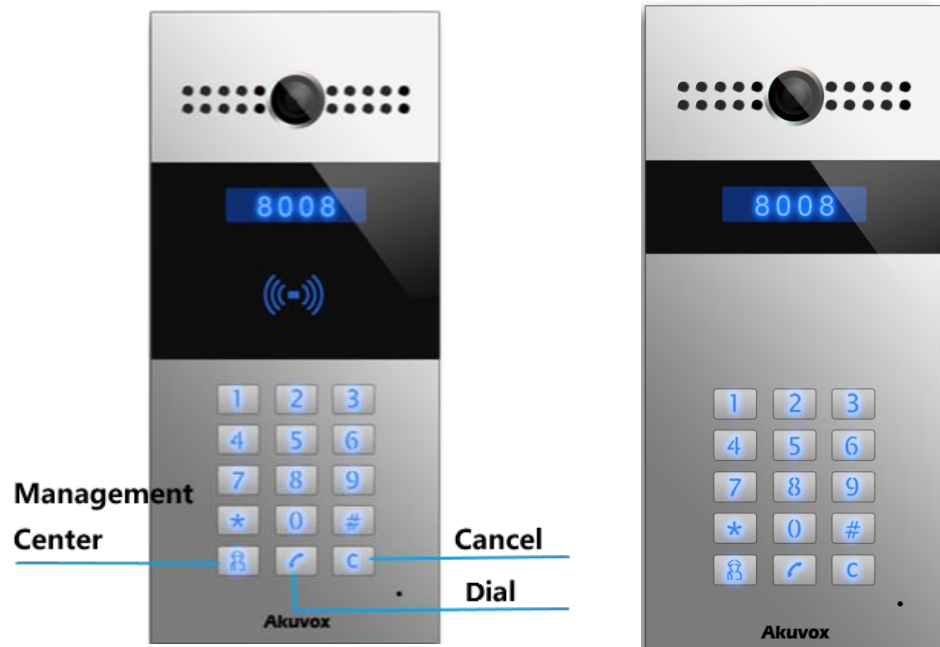
RelayA/B/C (NO/NC/COM): Relay control terminal.

2. Daily Use

2.1 Making a Call

In the idle interface, press the account or IP address + Dial key to make a call.

Management center call : Users can dial to management center by press management center key when R27A /C connected to SDMC(Sip Device Manage Center). Or users can



also press management center key to make a speed dial without SDMC.

For more information about SDMC, please contact Akuvox technical team.

2.2 Receiving a Call

R27 series will auto answer the incoming call by default. If users disable auto answer function, they can press dial key to answer the incoming call.

2.3 Unlock

Unlock by Pin code: Users can unlock the door by using predefined Public Pin or Private Pin. Press # + 8digit Pin Code + # to unlock, then you will hear “The door is now opened”. If users input the wrong Pin code, the screen will show “Incorrect Code”.

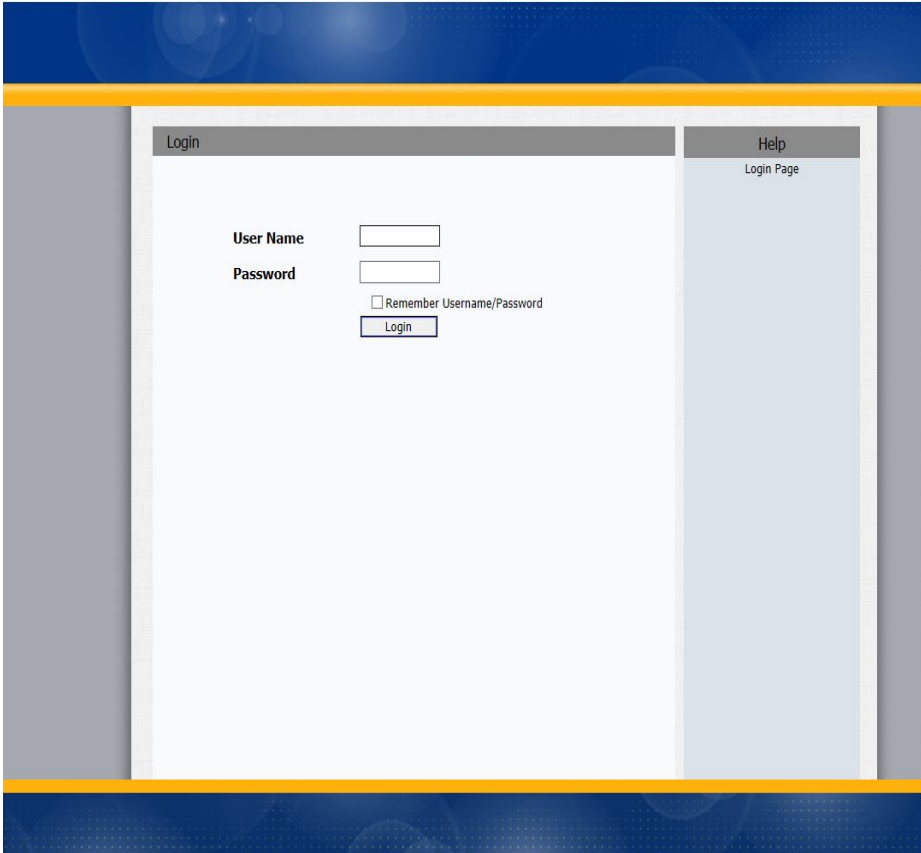
Unlock by RF Card(Only R27A): Place the predefined user card in RF card reader to unlock. Under normal conditions, the phone will announce “The door is now opened”. If the card has not been registered, the phone will show “Unauthorized”.

Unlock by DTMF Code: During the talking, the president can press the predefined DTMF code to remote unlock the door.(Please refer to chapter 4.4.4 about DTMF code setting). Then you will also hear “The door is now opened”.

3. Web

3.1 Obtain IP address

The Akuvox R27 series use DHCP IP by default. Press *2396# to enter backstage interface. Enter System Information to check the phone IP address.



The screenshot shows a web interface for a phone system. The page has a blue header and a yellow border. The main content area is white and contains a login form. The form has two input fields: "User Name" and "Password". Below the "Password" field is a checkbox labeled "Remember Username/Password". At the bottom of the form is a "Login" button. In the top right corner, there is a "Help" link with the text "Login Page" below it.

3.2 Login the web

Open a Web Browser, and enter the corresponding IP address.
Then, type the default user name and password as below to log in:

User Name: **admin**

Password: **admin**

3.3 Time/Lang

Go to Phone->Time/Lang to select local Time Zone for NTP server.

3.4 Voice

Go to Phone->Voice, to configure volume and upload tone file.

(1)**Mic Volume**: To configure Microphone volume.

(2)**Speaker Volume**: To configure Speaker volume.

Time/Lang	
NTP	
Time Zone	0 GMT
Primary Server	0.pool.ntp.org
Secondary Server	1.pool.ntp.org
Update Interval	3600 (>= 3600s)
System Time	02:43:31

Voice	
Mic Volume	
Mic Volume	8 (1~15)
Speaker Volume	
Speaker Volume	8 (1~15)
Open Door Warning	
Open Door Warning	Enabled
RingBack Upload	
<input type="text"/>	浏览... Upload Delete Export
File Format: wav, size: < 200KB, samplerate: 16000, Bits: 16	
Opendoor Tone Upload	
<input type="text"/>	浏览... Upload Delete Export
File Format: wav, size: < 200KB, samplerate: 16000, Bits: 16	

(3)Open Door Warning: Disable it, you will not hear the prompt voice when the door is opened.

(4)RingBack Upload: To upload the ring back tone you need.

(5)Opendoor Tone Upload: To upload the opendoor tone you need.

3.5 IP Address Setting

Go to Network->Basic, dynamically or statically to obtain IP address.

3.5.1 DHCP

R27 series uses DHCP by default, it will get IP address, Subnet Mask, Default Gateway and DNS server address from DHCP server automatically.

3.5.2 Static IP

If selected, you could manually set IP address, Subnet Mask, Default Gateway and DNS server.


The screenshot shows a web-based configuration interface for network settings. At the top, there is a header 'Network-Basic' and a sub-header 'LAN Port'. Below the sub-header, there are two radio button options: 'DHCP' (unselected) and 'Static IP' (selected). Under the 'Static IP' option, there are five input fields for configuration: 'IP Address' (192.168.1.118), 'Subnet Mask' (255.255.255.0), 'Default Gateway' (192.168.1.1), 'LAN DNS1' (192.168.1.1), and 'LAN DNS2' (empty). At the bottom of the form, there are two buttons: 'Submit' and 'Cancel'.

3.6 Public Key

Public Key is used to unlock.

Key Switch: Users can disable or enable this function.

Key Value: The default Public Key is 33333333. User can modify by yourself.



The screenshot shows a web interface for 'Intercom-Basic' with a sub-section titled 'Public Key'. It contains three settings:

Public Key	
Key Switch	Enabled ▼
Send Key	Enabled ▼
Key Value	33333333 (4-8 digit number)

3.7 Card Setting (R27A Only)

Go to Intercom -> Card setting, to manage card access system.

3.7.1 Import/Export Card Data

R27A supports import or export the card data file, which is convenient for administrator to deal with a large number of cards.

3.7.2 Obtain and Add Card

- (1)Switch card status to 'Card Issuing' and click 'Apply';
- (2)Place card on the card reader area and click 'Obtain';
- (3)Name card and choose which door you want to open;
- (4)Click 'Add' to add it into list.

3.7.3 Door card Management

Valid card information will be shown in the list. Administrator could delete one card's access permission or empty all the list.

Notes: Remember to set Card Status back to Normal after adding the cards.

The screenshot displays the 'Card Setting' web interface. It is divided into several sections:

- Import/Export Card Data(.xml):** Contains a 'Browse...' button, an 'Import' button, and an 'Export' button.
- Card Status:** Features a 'Card Status' dropdown menu currently set to 'Normal' and an 'Apply' button.
- CardEvent:** Includes 'Action to execute' with checkboxes for 'FTP', 'Email', and 'HTTP', and a text input field for 'Http URL'.
- Card Setting:** Contains several configuration options:
 - 'IC Key DoorNum' with checkboxes for 'RelayA', 'RelayB', and 'RelayC'.
 - 'IC Key Day' with checkboxes for 'Mon', 'Tue', 'Wed', 'Thur', 'Fri', 'Sat', 'Sun', and a 'Check All' option.
 - 'IC Key Time' with two time range selectors (HH:MM - HH:MM).
 - 'IC Key Name' and 'IC Key Code' text input fields.
 - 'Obtain' and 'Add' buttons.
- Door Card Management:** A table with columns for 'Index', 'Name', 'Code', 'Relay', and a checkbox. The table is currently empty. Below the table are 'Page: 1', 'Prev', 'Next', 'Delete', and 'DeleteAll' buttons.

3.8 Call setting

Go to Intercom->Basic, to configure basic call setting.

3.8.1 Speed Dial

This Feature is used to call out up to 4 numbers at the same time. After setup the number you need to call, press manage center key to call .

Speed Dial	
Key	Number
Speed Dial	<input type="text"/>
Speed Dial2	<input type="text"/>
Speed Dial3	<input type="text"/>
Speed Dial4	<input type="text"/>